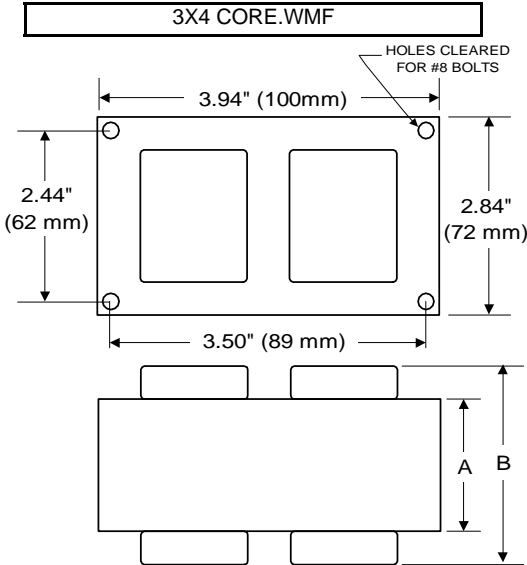




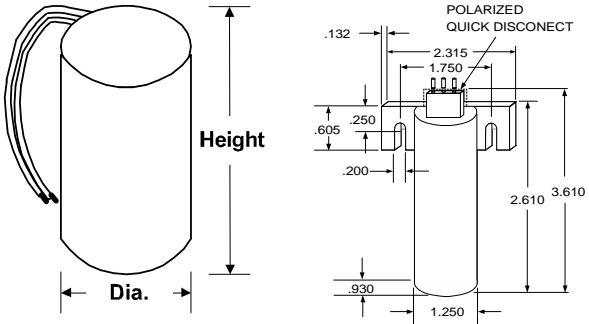
BALLAST SPECIFICATION

70W S62
High Pressure Sodium
V90P1252
60 Hz CWI

Input Volts	208
Line Current (Amps)	
Operating	0.50
Open Circuit	0.30
Starting	0.25
Recommended Fuse (Amps)	2
Regulation	
Line Volts	±10%
Lamp Watts	±10%
Temperature Ratings	
Insulation Class	180 (H)
Coil Temperature Code	A
Benchtop Coil Rise	
Power Factor (Min)	90%
Input Watts	96 W
Efficiency	
NOM. Open Circuit Voltage	125
Input Voltage At Lamp Dropout	155
Min Ambient Starting Temp	-40°F/-40°C
60 HZ TEST PROCEDURES	
High Potential Test (Volts)	
1 Minute	2,000 V
1 Second	2,500 V
Open Circuit Voltage Test (V)	110 - 140
Short Circuit Current Test (A)	
Secondary Current	Min 1.90 Max 2.30
Input Current	Min 0.15 Max 0.30
CORE and COIL Specifications	
Dimension (A)	1.65 in
Dimension (B)	3.25 in
Weight	6.0 lb's
Lead Lengths	12"
Capacitor Requirement	
Microfarads	24.0 uf
Volts (Min)	330 V



Capacitor:	ACG213	Ignitor:	BVS-006
Microfarads:	24.0 uf	Case Temp (Max):	105 °C
Volts (Max):	330 V	BTL Distance (Max)	2 ft
Case Temp (Max)	100 °C		
Height (Max):	3.68 in		
Dia (Max):	1.62 in		

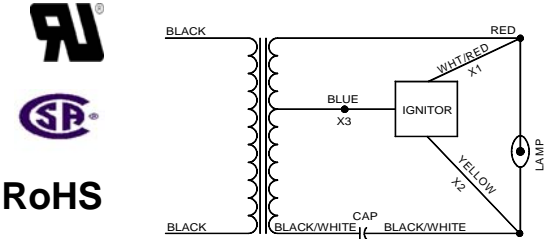


Dry Type Capacitor with Leads

Ordering Information Add Suffix for options
C - With Dry Capacitor
CB - With Dry Capacitor and Welded Bracket
B - With Welded Bracket, no Capacitor
K - Prewired, with Dry Capacitor and Bracket Kit

RoHS compliant on all manufactured products after August 1, 2007
Data is based upon tests performed by Venture Lighting in a controlled environment and is representative of relative performance. Actual performance can vary depending on operating conditions. Specifications are subject to change without notice.

4/29/2009 Production



RoHS