

# VSPASH HIGHBAY LUMINAIRES



Catalog Number
Type
Date
Notes

## Description

Venture Lighting's VSplash LED highbay is NSF Certified and uniquely designed for food processing applications yet maintains a high lumen efficacy. The smooth shape eliminates exposed hardware as well as prevents dust and moisture from collecting, enhancing the safety for food processing applications. The die-cast aluminum body ensures good heat dissipation providing cool running operation. The fixture is IP69K rated which ensures the fixture is dust tight and able to withstand cleaning by high pressure, high temperature water jets. The IP69K rating makes cleaning worry-free for NSF applications. Fixtures have a durable and corrosion-resistant powder coating finish.

## Performance

- 5000K CCT; 80 CRI
- Efficacy up to 135 lumens per watt
- Superior temperature stability
- Temperature tested at toughest conditions
- Replaces existing HID up to 400W

## Construction

- Body and mounting loop are aluminum alloy
- Durable and corrosion-resistant powder coat finish
- Stainless steel hardware
- Fixture color: gray is standard; optional white color fixture is available
- 5ft input cable and 3ft safety cable is standard

## Electrical

- 50/60Hz, 100-277V
- Operating Temperature Range: -40°F to 104°F (-40°C to 40°C)

## Optics

- Polycarbonate lens; safe for food processing applications
- No external reflectors required
- Beam angle: 90° standard; optional 50° and 120° beam angles available
- Glass lenses available for non-NSF applications

## Controls

- 1-10V DC continuous dimming capability is standard

## Warranty

- 5-year warranty

## Compliance

- cULus Listed
- DLC® Premium Qualified
- NSF Certified
- IP69K rated



**IP69K**



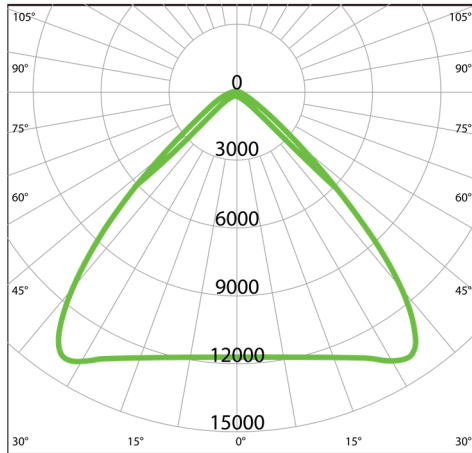
## Ordering Information & Performance Data

Wattage	Order Number	Lumen Output	Color Temp.	CRI	Lumen Maint. @50,000 hours†	Calc. L70@25°C Amb.(hrs)†	Input	Dimming	DLC Qualified	DLC/NSF Model No.
150W	HB45236	20250	5000K	80	94%	>60,000	100-277V, 50/60Hz, 1.7A Max	1-10V DC, external dimming leads	Premium	HW1-150C-AB
150W	HB41357	20250	5000K	80	94%	>60,000	100-277V, 50/60Hz, 1.7A Max	1-10V DC, internal/capped dimming leads	Premium	HW1-150C-AB

**Factory installed NSF certified watertight plug options are available, see page 2.**

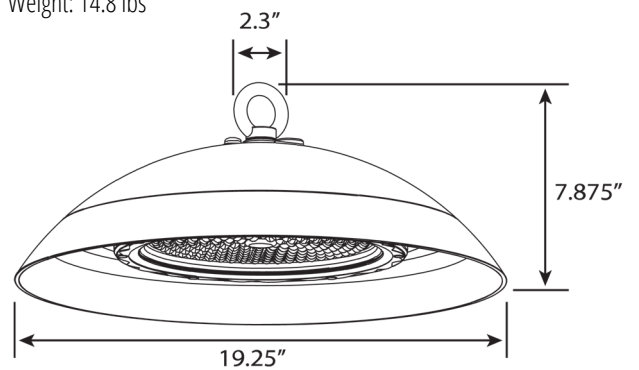
# VSPLASH HIGHBAY LUMINAIRES

## Photometrics



## Dimensions

Weight: 14.8 lbs



## Accessories

- LN13632 – 120° Clear plastic flat lens
- LN13492 – 120° Frosted plastic lens
- LN13421 – 120° Clear tempered glass lens
- LN28431 – 50° Clear plastic lens
- AC78126 – Pendant mount kit

### Factory installed NSF certified watertight plug options:

- Add suffix “-PN1” to order code for a NEMA L5-15P, 120V plug
- Add suffix “-PN2” to order code for a NEMA L6-15P, 240V plug
- Add suffix “-PN3” to order code for a NEMA L7-15P, 277V plug

### Factory installed plugs for non-NSF applications:

- Add suffix “-P1” to order code for a NEMA L5-15P, 120V plug
- Add suffix “-P2” to order code for a NEMA L6-15P, 240V plug
- Add suffix “-P3” to order code for a NEMA L7-15P, 277V plug
- Add suffix “-P5” to order code for a NEMA L18-20P, 208V plug

### Molded Plug Options with 11ft Cable:

- Add suffix “-P6-C” to order code for a NEMA L5-15P, 120V with Cable
- Add suffix “-P7-C” to order code for a NEMA L6-15P, 240V with Cable
- Add suffix “-P8-C” to order code for a NEMA L7-15P, 277V with Cable
- Add suffix “-P10-C” to order code for a NEMA L18-20P, 208V with Cable



NEMA L5-15P  
For 120V Input



NEMA L18-20P  
For 208V Input



NEMA L6-15P  
For 240V Input



NEMA L7-15P  
For 277V Input

Revision: v2, 04-Jan 2023

**(800) 451-2606**

6675 Parkland Blvd., Suite 100

Solon, Ohio 44139 USA

Email: [Venture\\_Lighting@VentureLighting.com](mailto:Venture_Lighting@VentureLighting.com)

**VentureLighting.com**

