



Wireless Programmed Sensor Lens Lens for High Mount Applications (Area Lighting)

product number: PH47512

overview

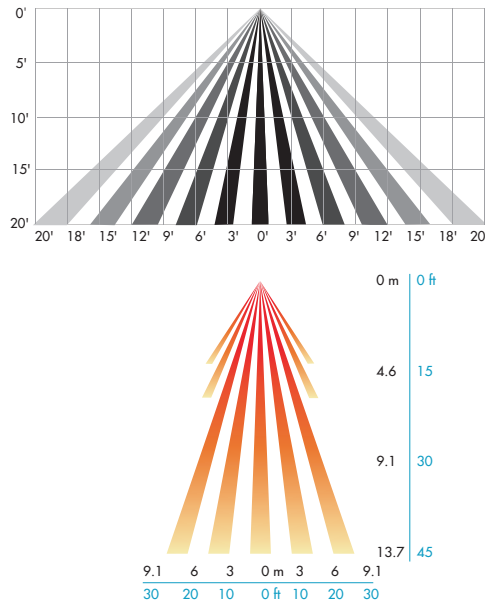
This lens is specifically designed for high mount applications like area lighting. It is to be used in conjunction with the wireless programmed sensor (Venture Order Code# PH41817). The wireless programmed sensor utilizes 100% Digital Passive Infrared (PIR) technology that is tuned for walking size motion while preventing false tripping from the environment.

notes

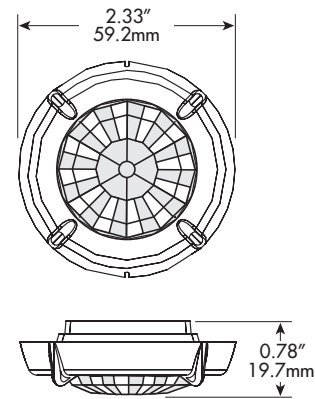
- Coverages shown in diagrams are maximum, measured in linear feet. They represent coverage for full-step walking motion, with no barriers or obstacles.

coverage patterns

High Mount Lens (Area Lighting) - Side View



lens diagram



VLI-XXXXXX_SensorLens2-0922